

# Air Conditioning

## Product Information

**PLA-RP Standard Inverter Heat Pump  
4-Way Blow Ceiling Cassette System**  
(Single Phase)

Making a  
World of  
Difference

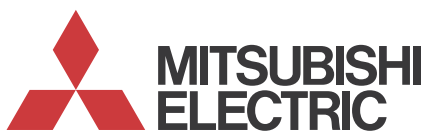
Mr.SLM.



Our **Standard Inverter** range offers customers all the features and benefits of inverter technology whilst being cost effective

### Key Features

- New square design grille
- Industry leading energy saving performance
- New airflow control, including horizontal airflow for greater comfort
- Optional 3D i-see sensor grille (PLP-6EAE grille)
- Optional filter lowering operation down to 4m (PLP-6EAJ grille) - coming 2017



Air Conditioning | Heating  
Ventilation | Controls

# Air Conditioning

## Product Information

### PLA-RP Standard Inverter Heat Pump 4-Way Blow Ceiling Cassette System (Single Phase)

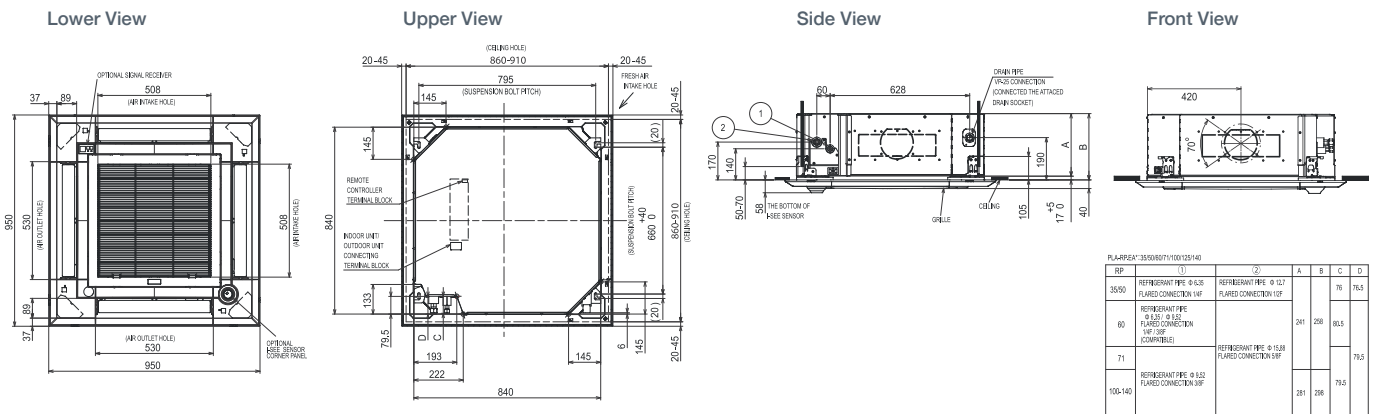
Making a  
World of  
Difference



PLA-RP - INDOOR UNITS		PLA-RP35EA	PLA-RP50EA	PLA-RP60EA	PLA-RP71EA	PLA-RP100EA	PLA-RP125EA	PLA-RP140EA
CAPACITY (kW)	Heating (nominal)	4.1 (1.7-5.0)	5.8 (1.7-7.2)	6.9 (2.5-8.0)	8.0 (2.6-10.2)	11.2 (4.5-12.5)	14.0 (5.0-16.0)	16.0 (5.0-18.0)
	Cooling (nominal)	3.6 (1.4-3.9)	5.5 (2.3-5.6)	5.7 (2.3-6.3)	7.1 (2.8-8.1)	9.4 (4.9-11.2)	12.3 (5.5-14.0)	13.6 (5.5-15.0)
	Heating (UK)	3.49 (1.45-4.25)	4.93 (1.45-6.12)	5.87 (2.13-6.80)	6.80 (2.21-8.67)	9.5 (3.85-10.65)	11.9 (4.25-13.6)	13.6 (4.25-15.3)
	Cooling (UK)	3.31 (1.29-3.59)	5.06 (2.12-5.15)	5.25 (2.12-5.80)	6.53 (2.58-7.45)	8.65 (4.5-10.3)	11.3 (5.05-12.9)	12.5 (5.05-13.8)
SHF (nominal & UK)	-	-	-	-	-	-	-	-
COP / EER (nominal)	4.10 / 3.50	3.43 / 3.40	3.50 / 3.23	3.56 / 3.38	3.41 / 2.70	3.41 / 3.01	3.21 / 2.61	
SCOP / SEER (BS EN14825)	4.40 / 6.90	4.00 / 6.50	4.30 / 6.50	4.30 / 6.20	4.10 / 5.60	N/A	N/A	
ErP ENERGY EFFICIENCY CLASS	Heating/Cooling	A+ / A++	A+ / A++	A+ / A++	A+ / A++	A+ / A+	N/A	N/A
AIRFLOW (l/s)	Lo-Mi1-Mi2-Hi	183-217-250-267	200-233-317-350	200-233-317-350	233-283-317-350	317-383-433-483	350-417-467-517	400-433-483-533
PIPE SIZE mm (in)	Gas/Liquid	9.52 (3/8") / 6.35 (1/4")	12.7 (1/2") / 6.35 (1/4")	15.88 (5/8") / 6.35 (1/4")	15.88 (5/8") / 9.52 (3/8")	15.88 (5/8") / 9.52 (3/8")	15.88 (5/8") / 9.52 (3/8")	15.88 (5/8") / 9.52 (3/8")
SOUND PRESSURE LEVEL (dBA)	Lo-Mi1-Mi2-Hi	26-28-29-31	27-29-31-32	27-29-31-32	28-30-32-34	31-34-37-40	33-37-41-44	36-39-42-44
SOUND POWER LEVEL (dBA)		51	54	54	56	61	65	65
DIMENSIONS (mm)	Width x Depth x Height (Grille)	840 (950) x 840 (950) x 258 (40)	840 (950) x 840 (950) x 258 (40)	840 (950) x 840 (950) x 258 (40)	840 (950) x 840 (950) x 258 (40)	840 (950) x 840 (950) x 298 (40)	840 (950) x 840 (950) x 298 (40)	840 (950) x 840 (950) x 298 (40)
WEIGHT (kg)	Unit / Panel	19 / 5	19 / 5	21 / 5	21 / 5	24 / 5	26 / 5	26 / 5
ELECTRICAL SUPPLY		Fed by Outdoor Unit	Fed by Outdoor Unit	Fed by Outdoor Unit	Fed by Outdoor Unit	Fed by Outdoor Unit	Fed by Outdoor Unit	Fed by Outdoor Unit
FUSE RATING (BS88) - HRC (A)		6	6	6	6	6	6	6
INTERCONNECTING CABLE No. Cores		4	4	4	4	4	4	4
GRILLE REFERENCE		PLP-6EA	PLP-6EA	PLP-6EA	PLP-6EA	PLP-6EA	PLP-6EA	PLP-6EA
WIRED REMOTE CONTROLLER REFERENCE		PAR-32MAA	PAR-32MAA	PAR-32MAA	PAR-32MAA	PAR-32MAA	PAR-32MAA	PAR-32MAA

SUZ-KA / PUHZ-P - OUTDOOR UNITS		SUZ-KA35VA6	SUZ-KA50VA6	SUZ-KA60VA6	SUZ-KA71VA6	PUHZ-P100VHA5	PUHZ-P125VHA4	PUHZ-P140VHA4
SOUND PRESSURE LEVEL (dBA)	Heating/Cooling	50 / 49	52 / 52	55 / 55	55 / 55	54 / 50	55 / 55	56 / 55
SOUND POWER LEVEL (dBA)	Cooling	62	65	65	69	70	74	75
WEIGHT (kg)		35	54	50	53	75	99	99
DIMENSIONS (mm)	Width x Depth x Height	800 x 285 x 550	840 x 330 x 880	840 x 330 x 880	840 x 330 x 880	950 x 330+30 x 943	950 x 330+30 x 1350	950 x 330+30 x 1350
ELECTRICAL SUPPLY		220-240v, 50Hz	220-240v, 50Hz	220-240v, 50Hz	220-240v, 50Hz	220-240v, 50Hz	220-240v, 50Hz	220-240v, 50Hz
PHASE		Single	Single	Single	Single	Single	Single	Single
SYSTEM POWER	Heating/Cooling (nominal)	1.00 / 1.02	1.69 / 1.61	1.97 / 1.76	2.20 / 2.10	3.28 / 3.48	4.10 / 4.08	4.98 / 5.21
INPUT (kW)	Heating/Cooling (UK)	0.85 / 0.88	1.44 / 1.38	1.67 / 1.51	1.87 / 1.81	2.91 / 2.96	3.65 / 3.47	4.43 / 4.43
STARTING CURRENT (A)		4.7	7.7	8.7	9.9	12.0	15.0	15.0
SYSTEM RUNNING CURRENT (A)	Heating/Cooling [MAX]	4.7 / 4.6 (8.4)	7.3 / 7.7 (12.2)	7.8 / 8.7 (14.2)	9.3 / 9.9 (16.4)	14.04 / 14.90 (28)	17.33 / 17.23 (28)	22.10 / 22.20 (29.5)
FUSE RATING (BS88) - HRC (A)		10	20	20	20	32	32	40
MAINS CABLE No. Cores		3	3	3	3	3	3	3
MAX PIPE LENGTH (m)		20	30	30	30	50	50	50
MAX HEIGHT DIFFERENCE (m)		12	30	30	30	30	30	30
CHARGE R410A (kg)		1.15	1.6	1.6	1.8	3.0 (20m)	4.5 (30m)	4.5 (30m)

#### Product Dimensions



Telephone: 01707 282880

email: [air.conditioning@meuk.mee.com](mailto:air.conditioning@meuk.mee.com) web: [www.airconditioning.mitsubishielectric.co.uk](http://www.airconditioning.mitsubishielectric.co.uk)

UNITED KINGDOM Mitsubishi Electric Europe Living Environment Systems Division  
Travellers Lane, Hatfield, Hertfordshire, AL10 8XB, England General Enquiries Telephone: 01707 282880 Fax: 01707 278881

IRELAND Mitsubishi Electric Europe Westgate Business Park, Ballymount, Dublin 24, Ireland  
Telephone: Dublin (01) 419 8890 Fax: Dublin (01) 419 8890 International code: (003531)

Country of origin: United Kingdom - Japan - Thailand - Malaysia. ©Mitsubishi Electric Europe 2016. Mitsubishi and Mitsubishi Electric are trademarks of Mitsubishi Electric Europe B.V. The company reserves the right to make any variation in technical specification to the equipment described, or to withdraw or replace products without prior notification or public announcement. Mitsubishi Electric is constantly developing and improving its products. All descriptions, illustrations, drawings and specifications in this publication present only general particulars and shall not form part of any contract. All goods are supplied subject to the Company's General Conditions of Sale, a copy of which is available on request. Third-party product and brand names may be trademarks or registered trademarks of their respective owners.



Note: The fuse rating is for guidance only. Please refer to the relevant databook for detailed specification. It is the responsibility of a qualified electrician/electrical engineer to select the correct cable size and fuse rating based on current regulation and site specific conditions. Mitsubishi Electric's air conditioning and heat pump systems contain fluorinated greenhouse gases R410A, R407C and R134a.



[www.greengateway.mitsubishielectric.co.uk](http://www.greengateway.mitsubishielectric.co.uk)

Mitsubishi Electric UK's commitment to the environment

Follow us @meuk\_Jes  
Follow us @green\_gateway

Mitsubishi Electric  
Living Environmental Systems UK

mitsubishielectric2

Effective as of November 2016