

# RESIDENTIAL MultiSplit

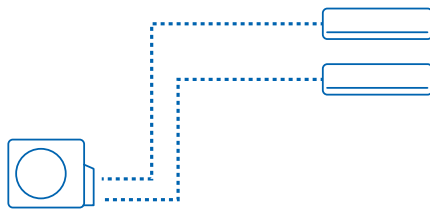
### INDOOR UNITS MULTISPLIT R32

SERIES	2.0 kW	2.5 kW	3.5 kW	4.2 kW	5.0 kW	7.1 kW
<b>NEW JADE</b>		 AS25S2SJ1FA-3	 AS35S2SJ1FA-3		 AS50S2SD1FA-3	
<b>NEW FLEXIS PLUS Black</b>	 AS20S2SF1FA-MB3	 AS25S2SF1FA-MB3	 AS35S2SF1FA-MB3	 AS42S2SF1FA-MB3	 AS50S2SF1FA-MB3	 AS71S2SF1FA-MB3
<b>NEW FLEXIS PLUS White</b>	 AS20S2SF1FA-MW3	 AS25S2SF1FA-MW3	 AS35S2SF1FA-MW3	 AS42S2SF1FA-MW3	 AS50S2SF1FA-MW3	 AS71S2SF1FA-MW3
<b>NEW PEARL</b>	 AS20PBAHRA	 AS25PBAHRA	 AS35PBAHRA		 AS50PBAHRA	
<b>NEW TUNDRA PLUS</b>	 AS20TADHRA-2	 AS25TADHRA-2	 AS35TADHRA-2			
<b>CONSOLE</b>		 AF25S2SD1FA	 AF35S2SD1FA	 AF42S2SD1FA		
<b>CASSETTE 620</b>		 AB25S2SC2FA	 AB35S2SC2FA		 AB50S2SC2FA	
<b>CASSETTE ROUND FLOW</b>						 AB71S2SG1FA
<b>CEILING FLOOR</b>			 AC35S2SG1FA		 AC50S2SG1FA	 AC71S2SG1FA
<b>SLIM DUCT LOW PRESSURE</b>		 AD25S2SS1FA	 AD35S2SS1FA		 AD50S2SS1FA	 AD71S2SS1FA
<b>DUCTED MEDIUM PRESSURE</b>			 AD35S2SM3FA		 AD50S2SM3FA	 AD71S2SM3FA

The expressed kW/Btu is for cooling classification. For exact values, see the technical data tables of the individual models.

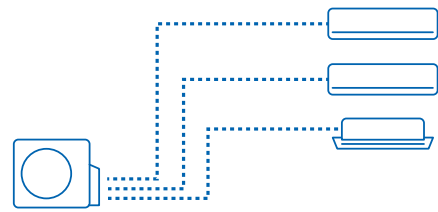
OUTDOOR UNITS MULTISPLIT R32							
4.0 kW	5.0 kW	5.5 Kw	7.0 kW	7.5 kW	8.5 kW	9.0 kW	10.5 kW
1:2		1:3		1:4		1:5	
2U40S2SM1FA	2U50S2SM1FA	3U55S2SR3FA	3U70S2SR3FA	4U75S2SR3FA	4U85S2SR3FA	5U90S2SS3FA	5U105S2SS3FA
Self-clean							

### COMPATIBLE UNITS 1:2



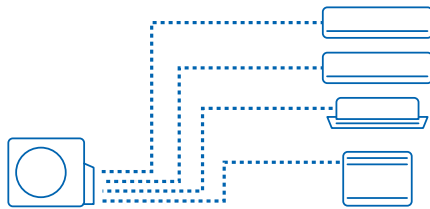
Wall

### COMPATIBLE UNITS 1:3



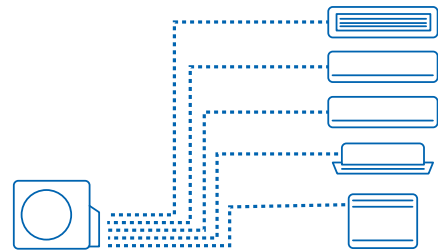
Wall - Cassettes - Floor Ceiling - Console - Ducted

### COMPATIBLE UNITS 1:4



Wall - Cassettes - Floor Ceiling - Console - Ducted

### COMPATIBLE UNITS 1:5

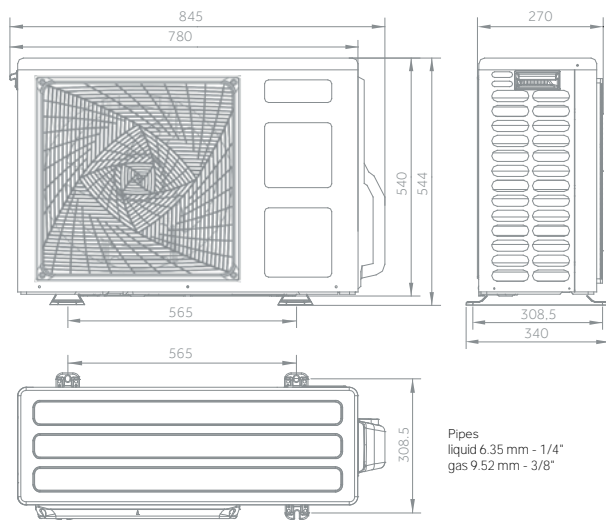


Wall - Cassettes - Floor Ceiling - Console - Ducted

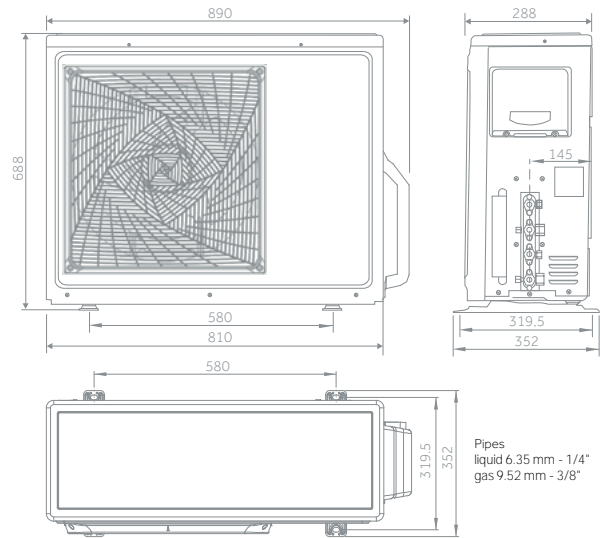
The expressed kW/Btu is for cooling classification. For exact values, see the technical data tables of the individual models.

The data in this catalogue is purely indicative as the data may vary. Please be advised to check the accuracy of the data with the supplier before purchasing products.

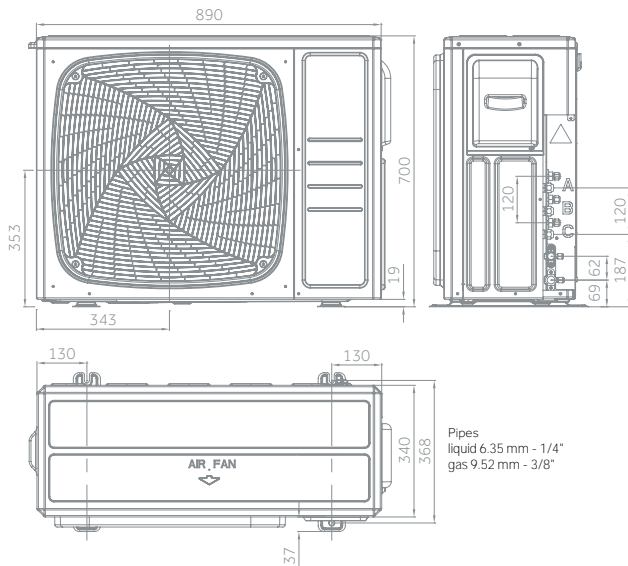
2U40S2SM1FA (2 couplings)



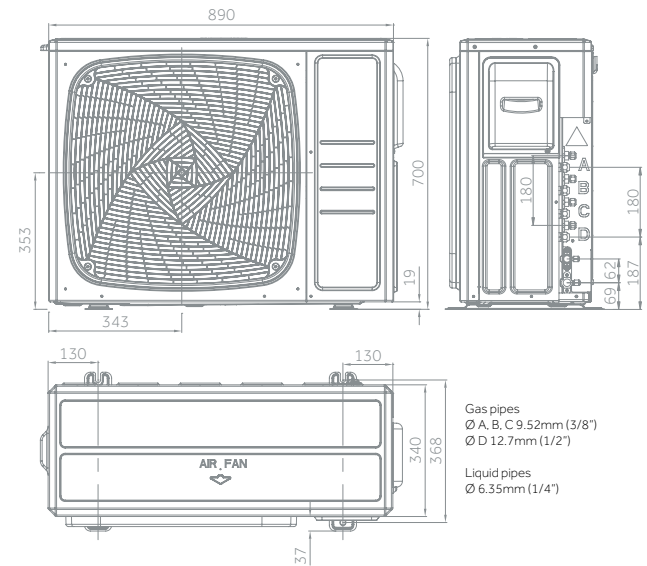
2U50S2SM1FA (2 couplings)



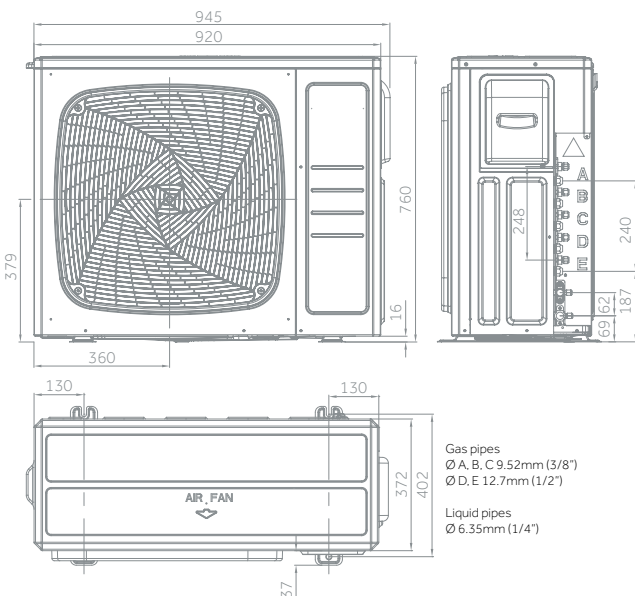
3U55S2SR3FA - 3U70S2SR3FA (3 couplings)



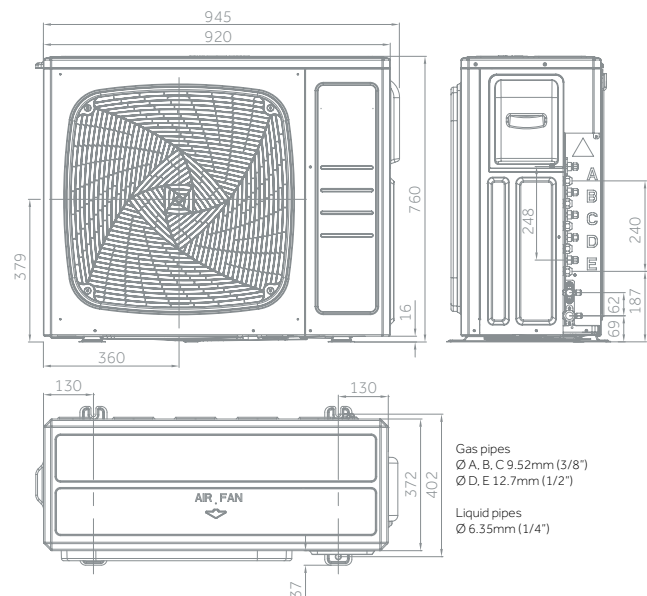
4U75S2SR3FA - 4U85S2SR3FA (4 couplings)



5U90S2SS3FA (5 couplings)



5U105S2SS3FA (5 couplings)



# Residential MultiSplit OUTDOOR UNITS

# Haier



**1:2** 2U40S2SM1FA  
2U50S2SM1FA



**1:3** 3U55S2SR3FA  
3U70S2SR3FA



**1:4** 4U75S2SR3FA  
4U85S2SR3FA



**1:5** 5U90S2SS3FA  
5U105S2SS3FA

4.0 kW

5.0 kW

5.5 Kw

7.0 kW

7.5 kW

8.5 kW

9.0 kW

10.5 kW

MULTISPLIT RESIDENTIAL

OUTDOOR UNIT		Model	2U40S2SM1FA	2U50S2SM1FA	3U55S2SR3FA	3U70S2SR3FA	4U75S2SR3FA	4U85S2SR3FA	5U90S2SS3FA	5U105S2SS3FA	
		Max IU	2		3		4		5		
<b>Performance data</b>											
Output power - COOLING	nom (min-max)	kW	4.0(1.1 - 4.8)	5.0(1.3 - 6.0)	5.5(2.1 - 7.0)	7.0(2.4 - 7.6)	7.5(2.4 - 8.7)	8.5(3.2 - 9.5)	9.0(3.2 - 11.0)	10.0(3.2 - 11.0)	
Output power - HEATING	nom (min-max)	kW	4.4(1.8 - 5.2)	5.7(1.8 - 6.6)	6.8(1.7 - 7.6)	7.6(2.9-8.5)	8.6(3.1 - 10.0)	9.6(4.4 - 10.5)	10.4(4.4 - 11.5)	10.5(4.4 - 11.5)	
Absorbed power - COOLING	nom (min-max)	kW	1.0(0.3 - 1.65)	1.5(0.3 - 2.4)	1.35	1.84	1.97	2.5	2.79	3.47	
Absorbed power - HEATING	nom (min-max)	kW	1.0(0.38 - 2.25)	1.4(0.5 - 2.8)	1.66	1.85	2.15	2.4	2.79	2.84	
Energy class	EER		4.0	3.45	4.0	3.81	3.8	3.4	3.23	2.88	
Energy class	COP		4.1	3.70	4.1	4.1	4.0	4.0	3.73	3.7	
COOLING Pdesign	capacity (35°)	kW	4.0	5.0	5.5	7.0	7.5	8.5	9.0	10	
HEATING Pdesign	capacity (-10°)	kW	3.3	4.7	4.7	6.0	6.3	7.0	7.2	8.0	
Energy class - COOLING	SEER		6.2 (A++)	6.5 (A++)	8.5 (A+++)	7.5 (A++)	7.0 (A++)	7.0 (A++)	7.0 (A++)	7.0 (A++)	
Energy class - HEATING	SCOP		4.0 (A+)	4.0 (A+)	4.0 (A+)	4.2 (A+)	4.0 (A+)	4.0 (A+)	4.0 (A+)	4.0 (A+)	
Annual Energy Consumption - COOLING	kWh/y		226	269	227	332	379	456	457	537	
Annual Energy Consumption - HEATING	kWh/y		1155	1645	1678	2012	2179	2503	2441	2889	
<b>Outdoor Unit</b>											
Power supply		Ph/V/Hz	1/220-240/50	1/220-240/50	1/220-240/50	1/220-240/50	1/220-240/50	1/220-240/50	1/220-240/50	1/220-240/50	
Treated air volume	H	m³/h	2200	2400	3000	3000	4000	4000	4200	4200	
Sound power - COOLING		dB	62	63	64	66	68	68	71	71	
Sound pressure - COOLING		dB(A)	52	53	51	53	55	55	55	55	
Dimensions	WxDxH	mm	800x275x553	800x275x553	890x340x700	890x340x700	890x340x700	890x340x700	920x372x760	920x372x760	
Net weight		Kg	34	36	51	54	61	61	66	66	
Compressor type			Inverter twin rotary								
Compressor brand			Mitsubishi								
<b>Installation data</b>											
Refrigerant			R32	R32	R32	R32	R32	R32	R32	R32	
Liquid pipe	Ø	mm	2x6.35	2x6.35	3x6.35	3x6.35	4x6.35	4x6.35	5x6.35	5x6.35	
Gas pipe	Ø	mm	2x9.52	2x9.52	3x9.52	3x9.52	3x9.52 + 1x12.7	3x9.52 + 1x12.7	3x9.52 + 2x12.7	3x9.52 + 2x12.7	
Total maximum pipe length		m	30	30	50	60	70	70	80	80	
Maximum single line OU-IU pipe length		m	20	20	25	25	25	25	25	25	
Standard pipe length without refrigerant charge		m	20	20	30	30	40	40	40	40	
Maximum IU - OU elevation		m	15	15	15	15	15	15	15	15	
Max IU - IU elevation		m	15	15	7.5	7.5	7.5	7.5	7.5	7.5	
Refrigerant charge in the factory	R32	Kg	1.0	1.4	1.6	1.6	2.2	2.2	2.4	2.4	
Equivalent tons of CO <sub>2</sub>		tCO <sub>2</sub> EQ	0.67	0.81	1.08	1.08	1.48	1.48	1.62	1.62	
Additional refrigerant charge	R32	g/m	20	20	20	20	20	20	20	20	
Operating limits - COOLING	min-max	°C	-10-43°C				-10-46°C				
Operating limits - HEATING	min-max	°C	-15-24°C								

## DATA PENDING CONFIRMATION

The data in this catalogue is purely indicative as the data may vary. Please be advised to check the accuracy of the data with the supplier before purchasing products.

2.5 kW

3.5 kW

5.0 kW

## NEW Residential MultiSplit Inverter JADE



Standard YR-HQ



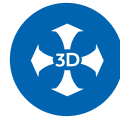
Silence



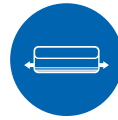
Wi-Fi



Easy installation



3D



2-way Piping design



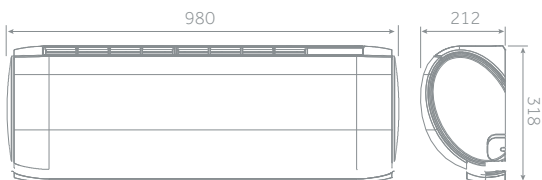
Self-Hygiene

- Self-Clean
- Low noise level
- Wi-Fi control (OPTIONAL) to remotely control the air conditioner
- Easy installation

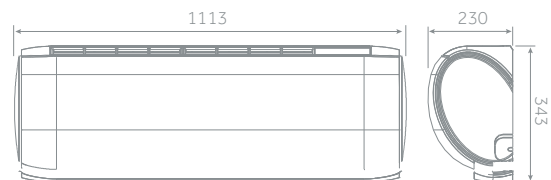
- 3D airflow: continuous movement of horizontal and vertical deflectors
- 2-way Piping design
- 56°C Steri-Clean
- Self-Hygiene

INDOOR UNIT	Model		AS25S2SJ1FA-3	AS35S2SJ1FA-3	AS50S2SJ1FA-3
<b>Performance data</b>					
Output power - COOLING	nom (min-max)	kW	2.6 (1.0 - 4.0)	3.5 (1.0 - 4.0)	5.2 (1.4 - 6.0)
Output power - HEATING	nom (min-max)	kW	3.2 (1.1 - 5.4)	4.2 (1.3 - 5.8)	6.0 (1.4 - 6.9)
Power supply		Ph/V/Hz	1/220-240/50	1/220-240/50	1/220-240/50
Treated air volume	H	m <sup>3</sup> /h	550	600	900
<b>Indoor Unit</b>					
Sound power - COOLING		dB	56	56	57
Sound pressure - COOLING		dB(A)	36/23/29/15	37/33/30/16	41/37/33/28
Dimensions	WxDxH	mm	923x215x320	923x215x320	1050x235x350
Net weight		Kg	12	12	14.9
<b>Installation data</b>					
Liquid pipe	Ø	mm	6.35	6.35	6.35
Gas pipe	Ø	mm	9.52	9.52	12.7
<b>Control</b>					
Standard	Remote control		YR-HQ	YR-HQ	YR-HQ

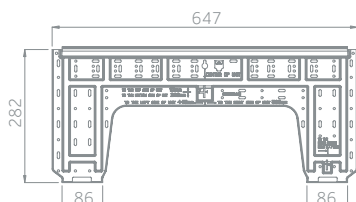
AS20 - AS25 - AS35 - AS42



AS50



### MOUNTING DIMENSIONS





2.0 kW

2.5 kW

3.5 kW

4.2 kW

5.0 kW

7.1 kW



Standard YR-HQ



Silence



Eco Sensor



Wi-Fi



3D



Easy installation



UVC Sterilisation



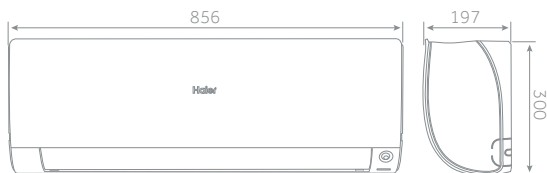
Self-Hygiene

- Low noise level
- Dual motion sensor
- Wi-Fi control to remotely control the air conditioner
- 3D airflow: continuous movement of horizontal and vertical deflectors
- Easy installation
- Steri-Clean
- UVC Sterilisation
- Self-Hygiene

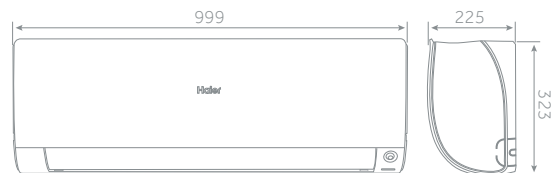
INDOOR UNIT White	Model White		AS20S2SF1FA-MW3	AS25S2SF1FA-MW3	AS35S2SF1FA-MW3	AS42S2SF1FA-MW3	AS50S2SF1FA-MW3	AS71S2SF1FA-MW3
<b>Performance data</b>								
Output power - COOLING	nom (min-max)	kW	2.0	2.6 (0.8 - 3.2)	3.5 (1.0 - 4.0)	4.2 (1.2 - 4.8)	5.2 (1.4 - 6.0)	7.0 (2.2 - 7.5)
Output power - HEATING	nom (min-max)	kW	2.5	3.2 (0.8 - 4.2)	4.2 (1.0 - 5.2)	4.4 (1.3 - 5.8)	6.0 (1.4 - 6.9)	8.0 (2.4 - 8.5)
Power supply		Ph/V/Hz	1/220-240/50	1/220-240/50	1/220-240/50	1/220-240/50	1/220-240/50	1/220-240/50
Treated air volume	H	m <sup>3</sup> /h	600	600	650	750	900	1100
<b>Indoor Unit</b>								
Sound power - COOLING		dB	53	53	55	58	57	60
Sound pressure - COOLING		dB(A)	38/32/25/16	38/32/25/16	39/33/26/17	42/36/30/23	45/41/37/28	47/43/37/33
Dimensions	WxDxH	mm	856x197x300	856x197x300	856x197x300	856x197x300	999x225x323	1115x235x343
Net weight		Kg	9.5	9.5	9.5	9.5	12	15.2
<b>Installation data</b>								
Liquid pipe	Ø	mm	6.35	6.35	6.35	6.35	6.35	9.52
Gas pipe	Ø	mm	9.52	9.52	9.52	9.52	12.7	15.88
<b>Control</b>								
Standard	Remote control		YR-HQ	YR-HQ	YR-HQ	YR-HQ	YR-HQ	YR-HQ

### DATA PENDING CONFIRMATION

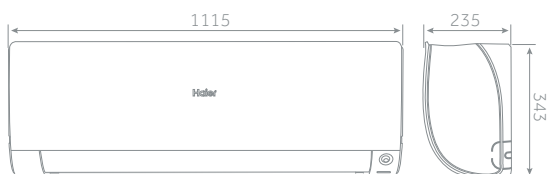
AS20 - AS25 - AS35 - AS42



AS50

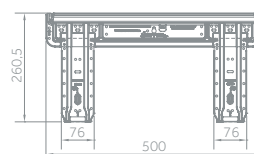


AS71

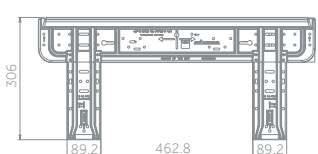


### MOUNTING DIMENSIONS

AS20-AS25-AS35-AS42-AS50



AS71





# NEW Residential MultiSplit Inverter FLEXIS PLUS Black

# Haier



- 2.0 kW
- 2.5 kW
- 3.5 kW
- 4.2 kW
- 5.0 kW
- 7.1 kW

Silence

Eco Sensor

Wi-Fi

3D

Easy installation

UVC Sterilisation

Self-Hygiene



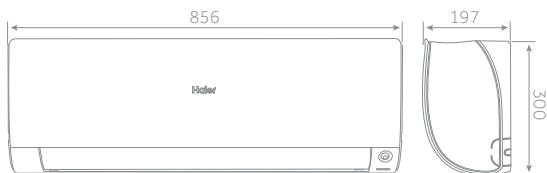
Standard YR-HQ

- Low noise level
- Dual motion sensor
- Wi-Fi control to remotely control the air conditioner
- 3D airflow: continuous movement of horizontal and vertical deflectors
- Easy installation
- Steri-Clean
- UVC Sterilisation
- Self-Hygiene

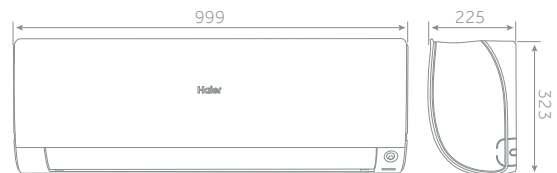
INDOOR UNIT Black	Model Black	AS20S2SF1FA-MB3	AS25S2SF1FA-MB3	AS35S2SF1FA-MB3	AS42S2SF1FA-MB3	AS50S2SF1FA-MB3	AS71S2SF1FA-MB3*	
<b>Performance data</b>								
Output power - COOLING	nom (min-max)	kW	2.0	2.6 (0.8 - 3.2)	3.5 (1.0 - 4.0)	4.2 (1.2 - 4.8)	5.2 (1.4 - 6.0)	7.0 (2.2 - 7.5)
Output power - HEATING	nom (min-max)	kW	2.5	3.2 (0.8 - 4.2)	4.2 (1.0 - 5.2)	4.4 (1.3 - 5.8)	6.0 (1.4 - 6.9)	8.0 (2.4 - 8.5)
Power supply		Ph/V/Hz	1/220-240/50	1/220-240/50	1/220-240/50	1/220-240/50	1/220-240/50	1/220-240/50
Treated air volume	H	m³/h	600	600	650	750	900	1100
<b>Indoor Unit</b>								
Sound power - COOLING		dB	53	53	55	58	57	60
Sound pressure - COOLING		dB(A)	38/32/25/16	38/32/25/16	39/33/26/17	42/36/30/23	45/41/37/28	47/43/37/33
Dimensions	WxDxH	mm	856x197x300	856x197x300	856x197x300	856x197x300	999x225x323	115x235x343
Net weight		Kg	9.5	9.5	9.5	9.5	12	15.2
<b>Installation data</b>								
Liquid pipe	Ø	mm	6.35	6.35	6.35	6.35	6.35	9.52
Gas pipe	Ø	mm	9.52	9.52	9.52	9.52	12.7	15.88
<b>Control</b>								
Standard	Remote control		YR-HQ	YR-HQ	YR-HQ	YR-HQ	YR-HQ	YR-HQ

## DATA PENDING CONFIRMATION

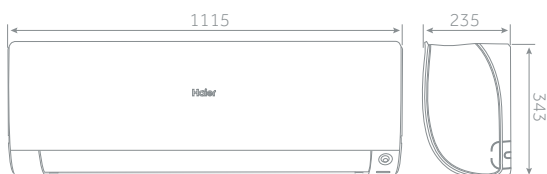
AS20 - AS25 - AS35 - AS42



AS50

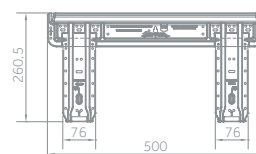


AS71

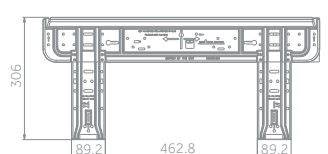


## MOUNTING DIMENSIONS

AS20-AS25-AS35-AS42-AS50



AS71



The data in this catalogue is purely indicative as the data may vary. Please be advised to check the accuracy of the data with the supplier before purchasing products.

2.5 kW

3.5 kW

5.0 kW



Standard YR-HE



Coanda Plus Airflow



Wi-Fi



UVC Sterilisation



Silence



Easy installation



Strong Airflow

- Coanda Plus Airflow
- Self-Clean
- Wi-Fi control with new hOn app
- UVC Sterilisation
- Low noise level
- Easy installation
- Strong Airflow
- 56°C Steri-Clean

INDOOR UNIT	Model		AS20PBAHRA	AS25PBAHRA	AS35PBAHRA	AS50PBAHRA
<b>Performance data</b>						
Output power - COOLING	nom (min-max)	kW	2.0	2.6 (0.8 - 3.0)	3.2 (0.8 - 3.6)	5 (1.3 - 5.8)
Output power - HEATING	nom (min-max)	kW	2.5	2.8 (0.8 - 3.0)	3.4 (0.8 - 4/2)	5.2 (1.4 - 6.0)
Power supply		Ph/V/Hz	1/220 - 240/50	1/220 - 240/50	1/220 - 240/50	1/220 - 240/50
Treated air volume	H	m <sup>3</sup> /h	550	550	600	900
<b>Indoor Unit</b>						
Sound power - COOLING		dB	54	54	56	57
Sound pressure - COOLING		dB(A)	37/32/28/18	37/32/28/18	37/33/29/19	44/40/35/28
Dimensions	WxDxH	mm	805/200/290	805/200/290	805/200/290	975/220/320
Net weight		Kg	8.3/10.5	8.3/10.5	8.3/10.5	11.6/14.4
<b>Installation data</b>						
Liquid pipe	∅	mm	6.35	6.35	6.35	6.35
Gas pipe	∅	mm	9.52	9.52	9.52	12.7
<b>Control</b>						
Standard	Remote control		YR-HE	YR-HE	YR-HE	YR-HE

NB: WARNING TUNDRA units are only compatible with OU 1:2 - 1:3 - 1:4

AS25PBAHRA - AS35PBAHRA



AS50PDAHRA



# NEW Residential Multisplit Inverter TUNDRA PLUS

# Haier

2.0 kW

2.5 kW

3.5 kW



Silence



Intelligent Air



Wi-Fi



Easy installation



Comfortable sleep



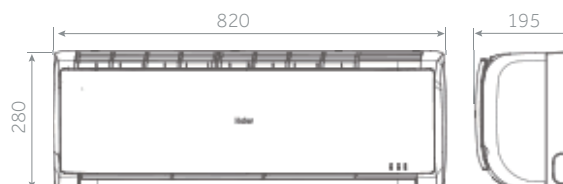
Standard YR-HE

- Low noise level
- Intelligent Air: Automatically directs deflectors for a better distribution of airflow according to the mode you have set
- Wi-Fi control with new hOn app
- Easy installation
- Self-Clean
- Sleepmode

INDOOR UNIT	Model		AS20TADHRA-2	AS25TADHRA-2	AS35TADHRA-2
<b>Performance data</b>					
Output power - COOLING	nom (min-max)	kW	2.0	2.6 (0.8 - 3.4)	3.6 (1.0 - 4.0)
Output power - HEATING	nom (min-max)	kW	2.5	2.9 (1.0 - 3.8)	3.7 (1.1 - 4.6)
Power supply		Ph/V/Hz	1/230/50	1/230/50	1/230/50
Treated air volume	H	m <sup>3</sup> /h	500	500	550
<b>Indoor Unit</b>					
Sound power - COOLING		dB	53	53	55
Sound pressure - COOLING		dB(A)	37/32/28/20	37/32/28/20	38/33/29/21
Dimensions	WxDxH	mm	820x195x280	820x195x280	820x195x280
Net weight		Kg	8.4	8.4	8.4
<b>Installation data</b>					
Liquid pipe	∅	mm	6.35	6.35	6.35
Gas pipe	∅	mm	9.52	9.52	9.52
<b>Control</b>					
Standard	Remote control		YR-HE	YR-HE	YR-HE

**NB: WARNING TUNDRA units are only compatible with OU 1:2 - 1:3 - 1:4**

AS20 - AS25 - AS35



2.5 kW

3.5 kW

4.2 kW



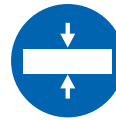
Standard YR-HBS01



Silence



Double flow



Compact design



Sleep

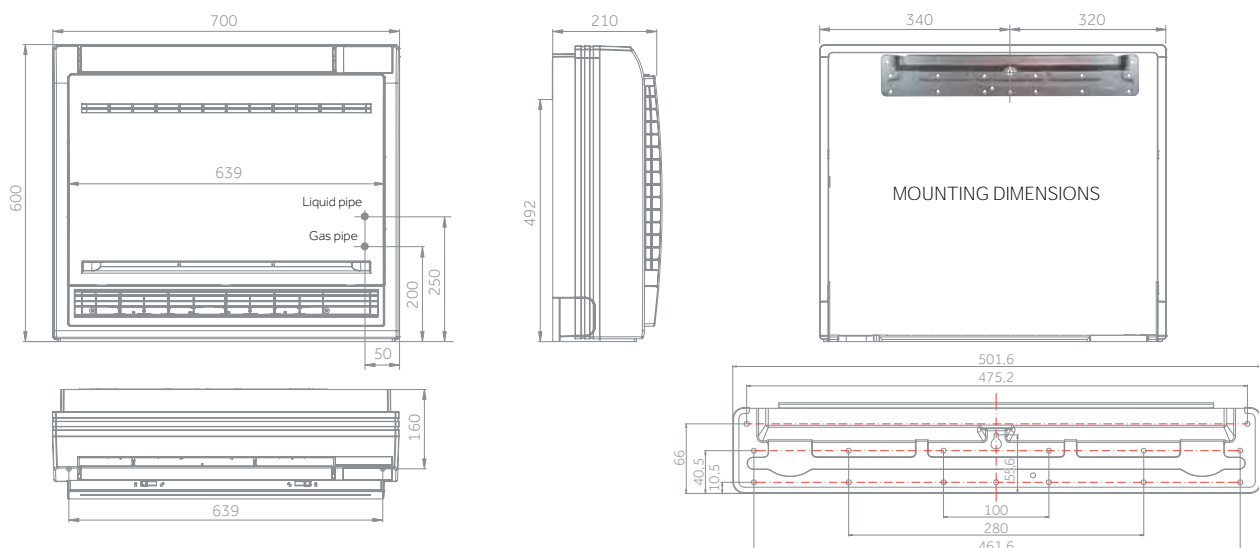


Wi-Fi (Optional)

- Low noise level
- Double airflow
- Compact design
- Sleep function for greater night time comfort
- Wi-Fi control (OPTIONAL) to remotely control the air conditioner

INDOOR UNIT	Model		AF25S2SD1FA	AF35S2SD1FA	AF42S2SD1FA
<b>Performance data</b>					
Output power - COOLING	nom (min-max)	kW	2.5	3.4	4.2
Output power - HEATING	nom (min-max)	kW	2.8	3.5	4.7
Power supply		Ph/V/Hz	1/220-240/50	1/220-240/50	1/220-240/50
Treated air volume	H	m <sup>3</sup> /h	450	500	580
<b>Indoor Unit</b>					
Sound power - COOLING		dB	52	55	58
Sound pressure - COOLING		dB(A)	40/32/25/20	42/34/26/21	46/37/33/28
Dimensions	WxDxH	mm	700x210x600	700x210x600	700x210x600
Net weight		Kg	16.5	16.5	16.5
<b>Installation data</b>					
Liquid pipe	Ø	mm	6.35	6.35	6.35
Gas pipe	Ø	mm	9.52	9.52	9.52
<b>Control</b>					
Standard	Remote control		YR-HBS01	YR-HBS01	YR-HBS01

### AF25 - AF35 - AF42



# Residential Multisplit Inverter CASSETTE 620

**Haier**

2.5 kW

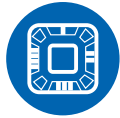
3.5 kW

5.0 kW

OPTIONAL CONTROL



Silence



4 ways independent



Wi-Fi (Optional)



Fresh Air

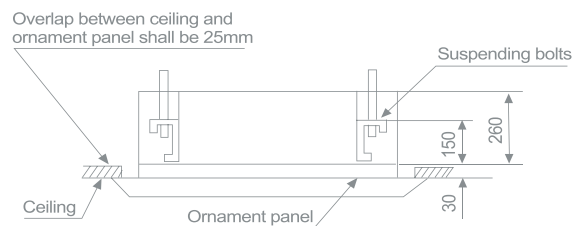
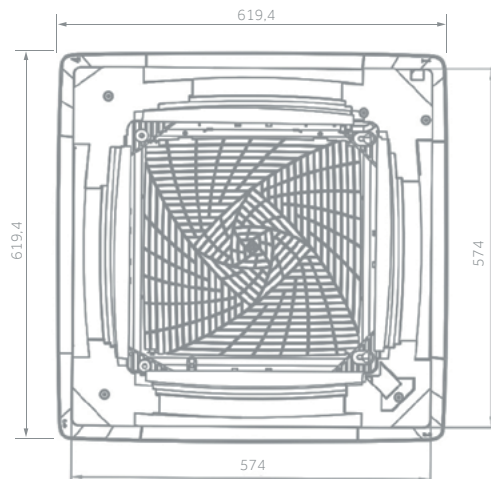


On-Off Card

- Low noise level
- Wi-Fi control (OPTIONAL) to remotely control the air conditioner
- 'Fresh air' knockout is incorporated in the chassis to allow fresh air introduction of up to 20% of nominal unit air flow without compromising the cooling capacity. More than 20% of the air conditioner's thermal cooling capacity is penalised.
- On-Off card

INDOOR UNIT		Model	AB25S2SC2FA	AB35S2SC2FA	AB50S2SC2FA
<b>Performance data</b>					
Output power - COOLING	nom (min-max)	kW	2.6	3.5	5.0
Output power - HEATING	nom (min-max)	kW	3.2	4.0	5.5
Power supply		Ph/V/Hz	1/220-240/50	1/220-240/50	1/220-240/50
Treated air volume	Hi / Mi / Lo	m <sup>3</sup> /h	510/450/390/330	620/520/420/350	700/600/500/400
<b>Indoor Unit</b>					
Sound power - COOLING		dB	50	52	57
Sound pressure - COOLING		dB(A)	31/28/25/23	35/32/30/28	42/37/35/31
Dimensions	WxDxH	mm	570x570x260	570x570x260	570x570x260
Net weight		Kg	17	18.5	19
<b>Installation data</b>					
Liquid pipe	Ø	mm	6.35	6.35	6.35
Gas pipe	Ø	mm	9.52	9.52	12.7
<b>Control</b>					
Standard	/		/	/	/
<b>Panel</b>					
Model			PB-620KB	PB-620KB	PB-620KB
Dimensions	WxDxH	mm	620x620x60	620x620x60	620x620x60
Net weight		Kg	2.8	2.8	2.8

AB25 - AB35 - AB50



7.1 kW

OPTIONAL CONTROL



Silence



8 ways (4 independent)



Wi-Fi (Optional)



Fresh Air

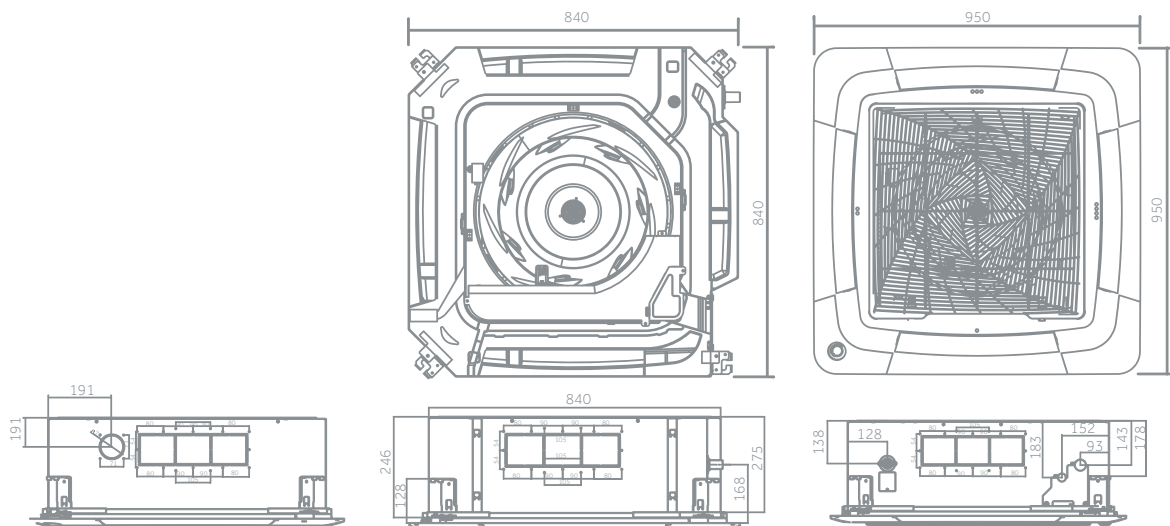


Sensor

- Low noise level
- 8 ways airflow
- Wi-Fi control (OPTIONAL) to remotely control the air conditioner
- 'Fresh air' knockout is incorporated in the chassis to allow fresh air introduction of up to 20% of nominal unit air flow without compromising the cooling capacity. More than 20% of the air conditioner's thermal cooling capacity is penalised.
- Sensor (OPTIONAL) detects real-time air conditions and movement of people

INDOOR UNIT		Model	AB71S2SG1FA	AB71S2SG1FA
<b>Performance data</b>				
Output power - COOLING	nom (min-max)	kW	7.1	7.1
Output power - HEATING	nom (min-max)	kW	8.0	8.0
Power supply		Ph/V/Hz	1/220-240/50	1/220-240/50
Treated air volume	Hi / Mi / Lo	m <sup>3</sup> /h	1260/1070/820/680	1260/1070/820/680
<b>Indoor Unit</b>				
Sound power - COOLING		dB	55	55
Sound pressure - COOLING		dB(A)	36/33/29/26	36/33/29/26
Dimensions	WxDxH	mm	840x840x204	840x840x204
Net weight		Kg	27	27
<b>Installation data</b>				
Liquid pipe	Ø	mm	9.52	9.52
Gas pipe	Ø	mm	15.88	15.88
<b>Panel</b>				
Model	Standard (optional)		PB-950KB	
Model	Motion Sensor (optional)			PB-950MB
Dimensions	WxDxH	mm	950x950x50	950x950x50
Net weight		Kg	6.5	6.5

AB71



# Residential Multisplit Inverter CEILING FLOOR

Haier

3.5 kW

5.0 kW

7.1 kW

OPTIONAL CONTROL



Silence



Flow +



5 Speed



Fresh Air

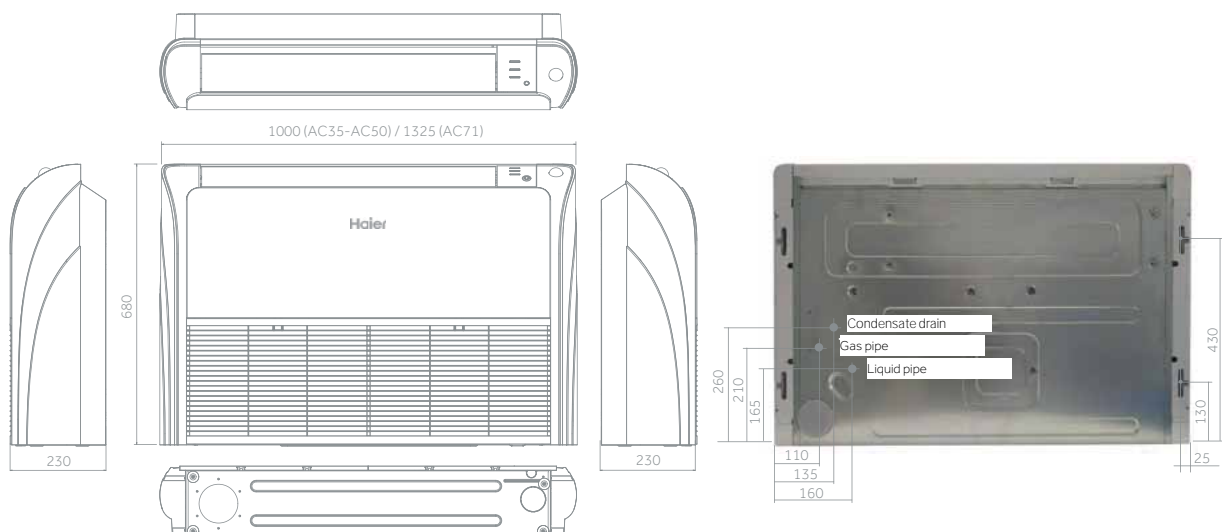


On-Off Card

- Low noise level
- Flow +: Internal deflectors are divided into two groups with independent motors (independent right-left airflow)
- 5 fan speed: turbo, high, medium, low, super low (only with YR-HBS01 or wired controller)
- 'Fresh air' knockout is incorporated in the chassis to allow fresh air introduction of up to 20% of nominal unit air flow without compromising the cooling capacity. More than 20% of the air conditioner's thermal cooling capacity is penalised.

INDOOR UNIT	Model		AC35S2SG1FA	AC50S2SG1FA	AC71S2SG1FA
<b>Performance data</b>					
Output power - COOLING	nom (min-max)	kW	3.5	5.0	7.1
Output power - HEATING	nom (min-max)	kW	4.0	5.8	8.0
Power supply		Ph/V/Hz	1/220-240/50	1/220-240/50	1/220-240/50
Treated air volume	Hi / Mi / Lo	m <sup>3</sup> /h	750/620/500/400	880/750/650/500	1250/1128/930/840
<b>Indoor Unit</b>					
Sound power - COOLING		dB	53	57	62
Sound pressure - COOLING		dB(A)	39/36/33	44/41/38	41/38/36/33
Dimensions	WxDxH	mm	1000x230x680	1000x230x680	1325x230x680
Net weight		Kg	26	26	26
<b>Installation data</b>					
Liquid pipe	∅	mm	6.35	6.35	9.52
Gas pipe	∅	mm	9.52	12.7	15.88

AC35 - AC50 - AC71



2.5 kW

3.5 kW

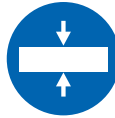
5.0 kW

7.1 kW

OPTIONAL CONTROL



Silence



Compact design



3D



Condensate drain pump



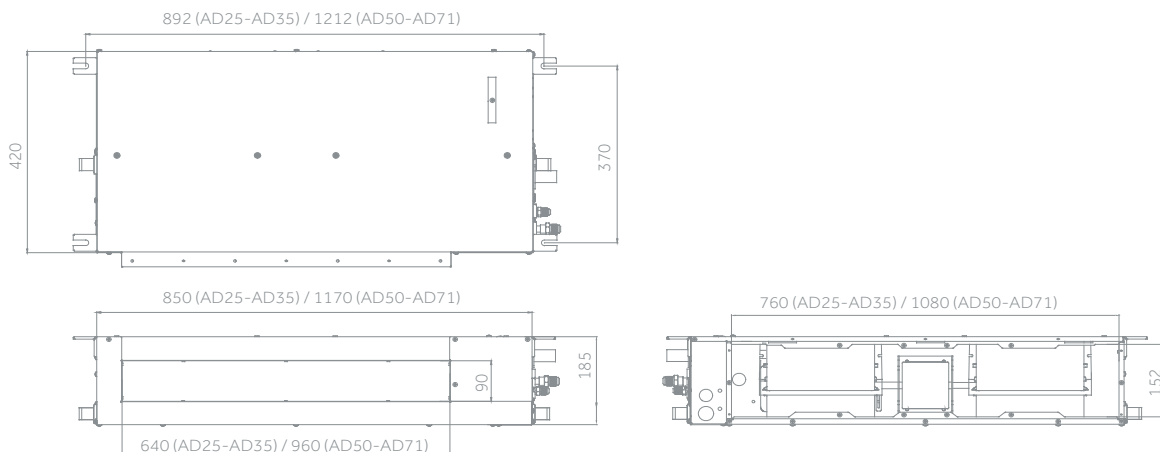
Flexible installation

- Low noise level
- Compact design
- Panel kit (OPTIONAL): air supply and intake grill
- Condensate drain pump
- Flexible installation



INDOOR UNIT	Model		AD25S2SS1FA	AD35S2SS1FA	AD50S2SS1FA	AD71S2SS1FA
<b>Performance data</b>						
Output power - COOLING	nom (min-max)	kW	2.5	3.5	5.0	7.1
Output power - HEATING	nom (min-max)	kW	3.0	4.0	5.5	7.1
Power supply		Ph/V/Hz	1/220-240/50	1/220-240/50	1/220-240/50	1/220-240/50
Treated air volume	Hi / Mi / Lo	m <sup>3</sup> /h	530/460/390/330	600/480/420/350	900/750/600	1000/850/750
Static pressure		Pa	0/10/20/40	0/10/20/40	0/10/20/40	0/10/20/40
<b>Indoor Unit</b>						
Sound power - COOLING		dB	50	53	54	57
Sound pressure - COOLING		dB(A)	29/28/25	33/28/25	36/34/32	38/35/33
Dimensions	WxDxH	mm	850x420x185	850x420x185	1170x420x185	1170x420x185
Net weight		Kg	16	16	22	24
<b>Installation data</b>						
Liquid pipe	Ø	mm	6.35	6.35	6.35	9.52
Gas pipe	Ø	mm	9.52	9.52	12.7	15.88
<b>Panel (optional)</b>						
Model			P1B-890IA/D	P1B-890IA/D	P1B-1210IA/D	P1B-1210IA/D
Dimensions	WxDxH	mm	890x190x100 (Supply Grill)	890x190x100 (Supply Grill)	1210x190x100 (Supply Grill)	1210x190x100 (Supply Grill)
			928x220x335 (Intake Grill)	928x220x335 (Intake Grill)	1258x220x335 (Intake Grill)	1258x220x335 (Intake Grill)
Net weight		Kg	4	4	5	5

AD25 - AD35 - AD50 - AD71





# Residential Multisplit Inverter DUCTED MEDIUM PRESSURE

**Haier**

3.5 kW

5.0 kW

7.1 kW

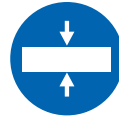
OPTIONAL CONTROL



- Low noise level
- Compact design
- Fresh Air allows changing the ambient air
- Condensate drain pump
- Easy installation



Silence



Compact design



Fresh Air



Condensate drain pump



Flexible installation

INDOOR UNIT	Model		AD35S2SM3FA	AD50S2SM3FA	AD71S2SM3FA
<b>Performance data</b>					
Output power - COOLING	nom (min-max)	kW	3.5	5.0	7.1
Output power - HEATING	nom (min-max)	kW	4.0	6.0	8.0
Power supply		Ph/V/Hz	1/220-240/50	1/220-240/50	1/220-240/50
Treated air volume	Hi / Mi / Lo	m <sup>3</sup> /h	840/720/600/450	1080/900/780/660	1440/1140/900/800
Static pressure		Pa	25 (default) /37/50/70/90/100/110/120/130/150	25 (default) /37/50/70/90/100/110/120/130/150	25/37 (default) /50/70/90/100/110/120/130/150
<b>Indoor Unit</b>					
Sound power - COOLING		dB	55	57	58
Sound pressure - COOLING		dB(A)	35/32/29/26	37/34/30/29	39/36/33/30
Dimensions	WxDxH	mm	700x700x248	1100x700x248	1100x700x248
Net weight		Kg	26	32	32
<b>Installation data</b>					
Liquid pipe	Ø	mm	6.35	6.35	9.52
Gas pipe	Ø	mm	9.52	12.7	15.88

## AD35 - AD50 - AD71

